

VHR TL48200LFP-5U (48V200Ah)

TL-LFP Series Lithium-ion Battery Module

Introduction

HRESYS TL-LFP series is a 48V LiFePO₄ (lithium iron phosphate) battery module. With the advanced LiFePO₄ cell technology and smart BMS, the product have the benefit of long cycle life, small size, light weight, high safety, environmental protection and strong environmental adaptability, it is ideal for backup and energy storage application even in harsh outdoor environments.



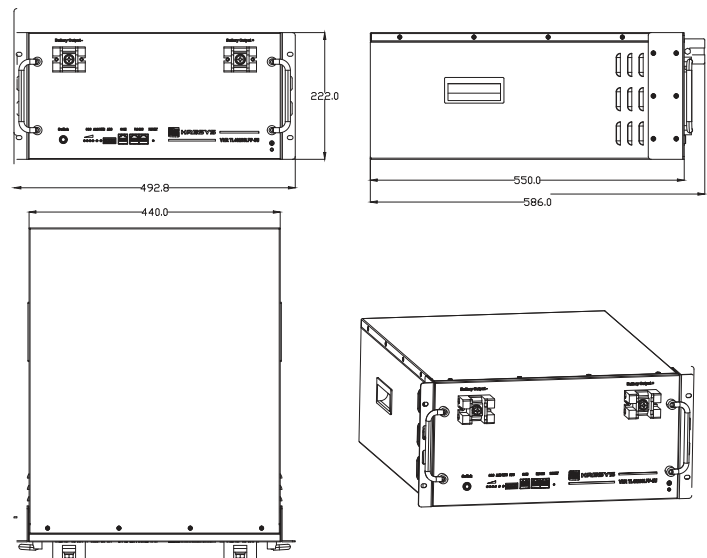
Features and Benefits

- High energy density
- light weight, saving space
- Delivers up to 3X the energy density of conventional lead acid batteries
- Long cycle life
- Proven LiFePO₄ chemistry, maximum cycle life for deep cycle and hybrid application
- Integrated Smart Battery Manage System (BMS)
- Protect internal cells from overcharge, over-discharge, high current, etc. ensure battery safety and reliability
- Equalization and balance each cell, prolong battery life
- Intelligent monitors, remote measure, remote communication, remote control by RS485
- Support parallel connection to increase capacity
- LED status and alarm indication
- Maintenance free
- Fast charge capability

Main Applications

- Telecommunication
- UPS and IDC Data center
- Renewable Energy Storage System

Dimensions in mm



General Specifications

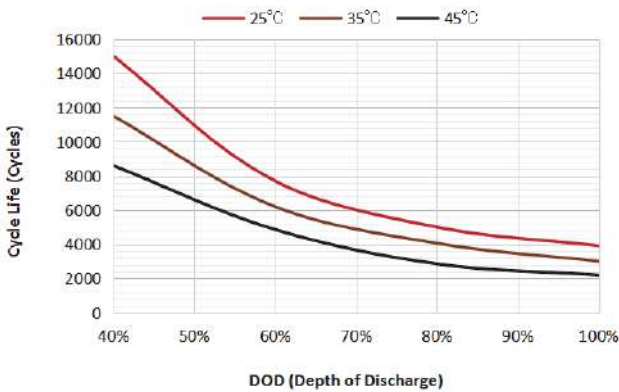
Item	Description
Nominal voltage	48 V
Nominal capacity	200 Ah (0.2C to 41.0V @ 25°C)
Discharge end voltage	41.0 V
Charge voltage	54.0 V
Charge current (Max.)	150 A (0.75C)
Charge current (Standard)	40 A (0.2C)
Max. Discharge current	150 A (0.75C)
Dimensions	440 x 550 x 222 (WxDxH in mm) (5U in height)
Weight	78.0 (±2) kg
Design life	15+ years @ 25°C
Communication	RS485

Operation Environment

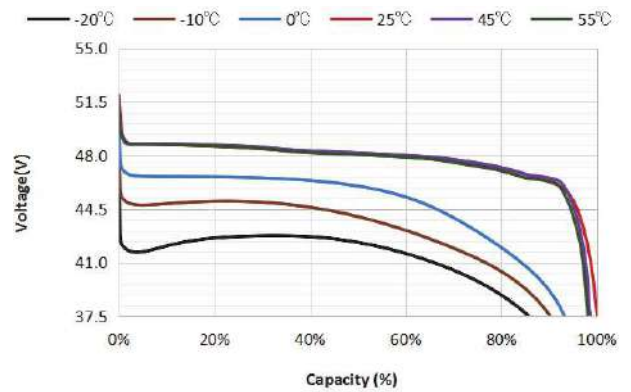
Temperature range	Discharge -20 to +60°C Charge 0 to +60°C Storage -5 to +45°C
Temperature recommendation	Discharge +15 to +35°C Charge +15 to +35°C Storage 0 to +40°C (6 months, >50%SOC)
Humidity	5% to 95%, no condensation

Performance Curve

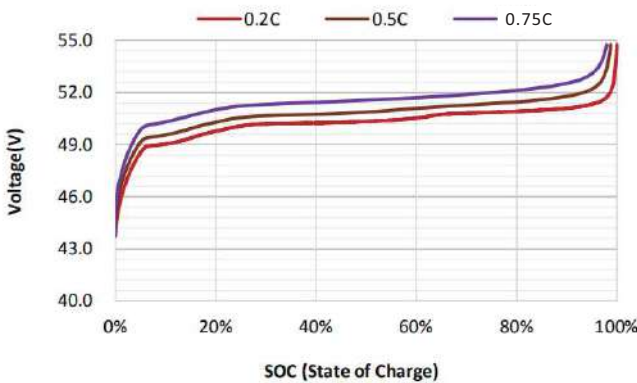
Cycle life vs. DOD at different temperature



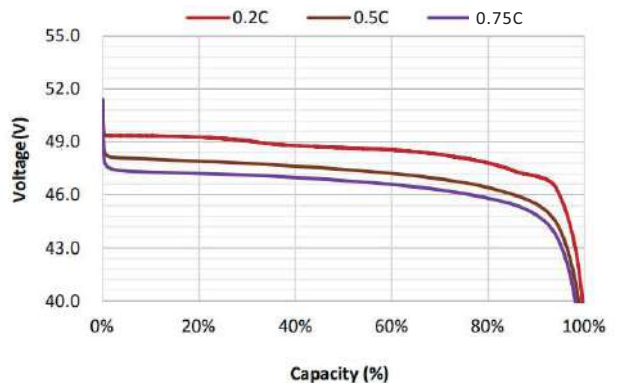
Discharge curve at different temperature



Charge curve with different current rate @25°C



Discharge curve with different current @25°C



Aeson Power Pty Ltd

18/40 Ricketts Rd, Mount Waverley, VIC, 3149

Tel: + 61 3 9545 5993

Website: www.aesonpower.com.au

Email: info@aesonpower.com.au